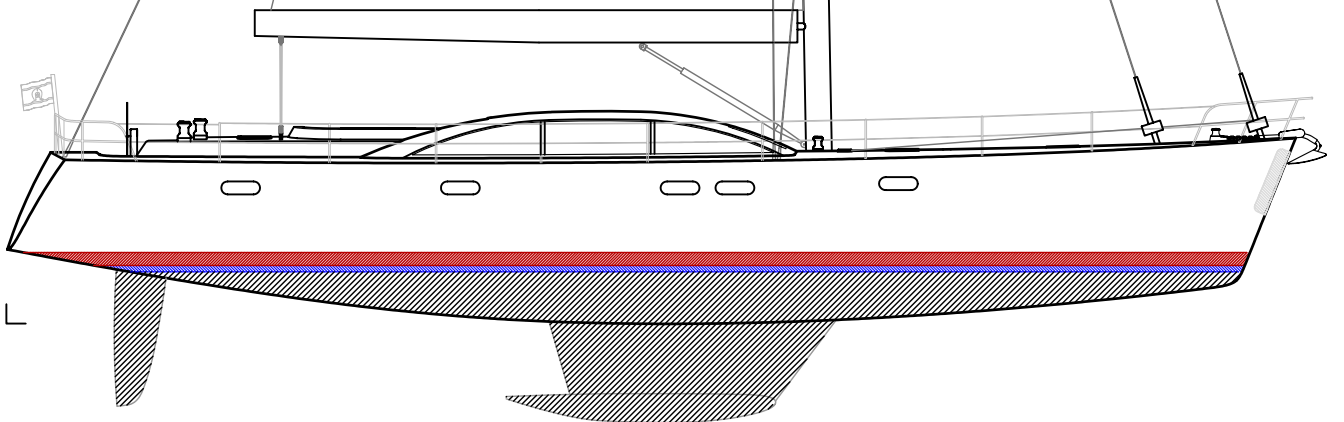
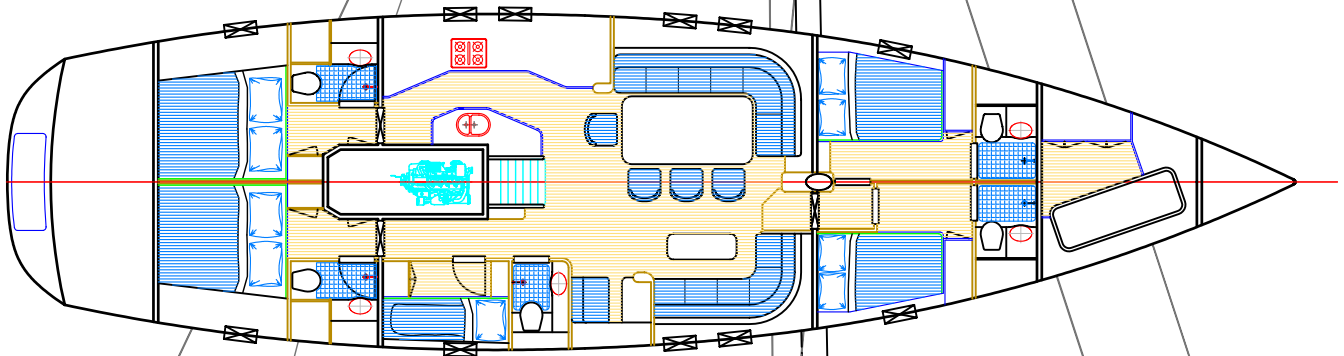
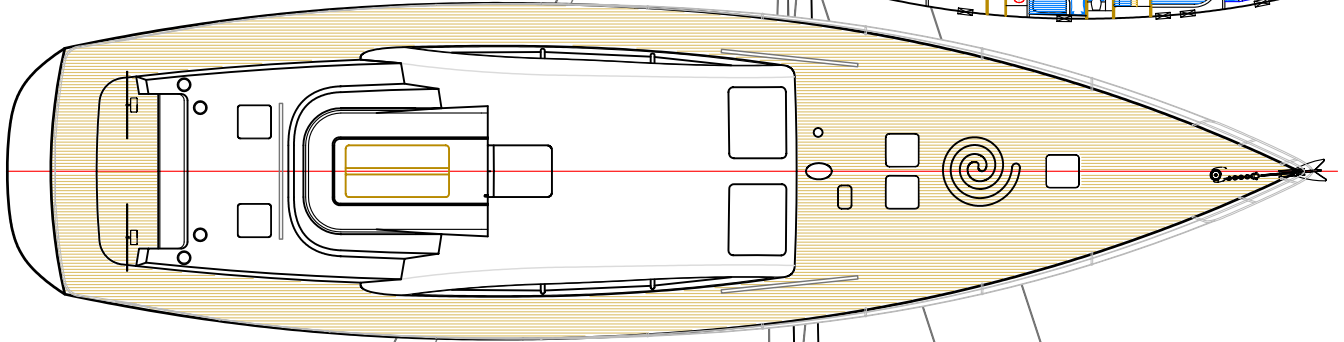
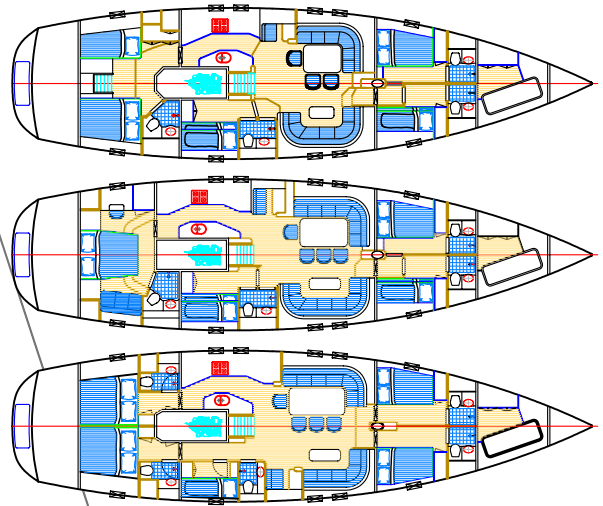


mW65 charter



PRINCIPAL DATA

L.O.A. 19.9
L.W.L 17.4m
Beam 5.2m
Displ 25000kg

Ballast 9000kg
Draft 2.35m
Engine 110kW
Genset 15kVa

Fuel 1000lts
Water 1800lts
Black Water 250lts
Grey Water 250lts

Main 94.4m²
Genoa 79.0m²
I 22.0m

P 19.6m
J 7.2m
E 8.2m

copyright ©

THIS DRAWING AND/OR SPECIFICATION IS THE PROPERTY OF MARK WILLIAMSON DESIGN PTY LTD. IT IS NOT TO BE USED BY OR DISCLOSED TO ANY THIRD PERSON WITHOUT THE EXPRESSED PERMISSION OF MARK WILLIAMSON DESIGN PTY LTD.

MARK WILLIAMSON DESIGN

Consulting Naval Architects & Mechanical Engineers

48 Sweetgum St, Ashmore, Queensland 4214, Australia
Ph: 617 5597 3521 Fax: 617 5597 3529 www.mwdesign.net.au

VESSEL: mW65 RACER/CRUISER

TITLE: GENERAL ARRANGEMENT

DWG No: mW65rc-100

SCALE:

DATE: 6/8/2003

DRAWN: MDW