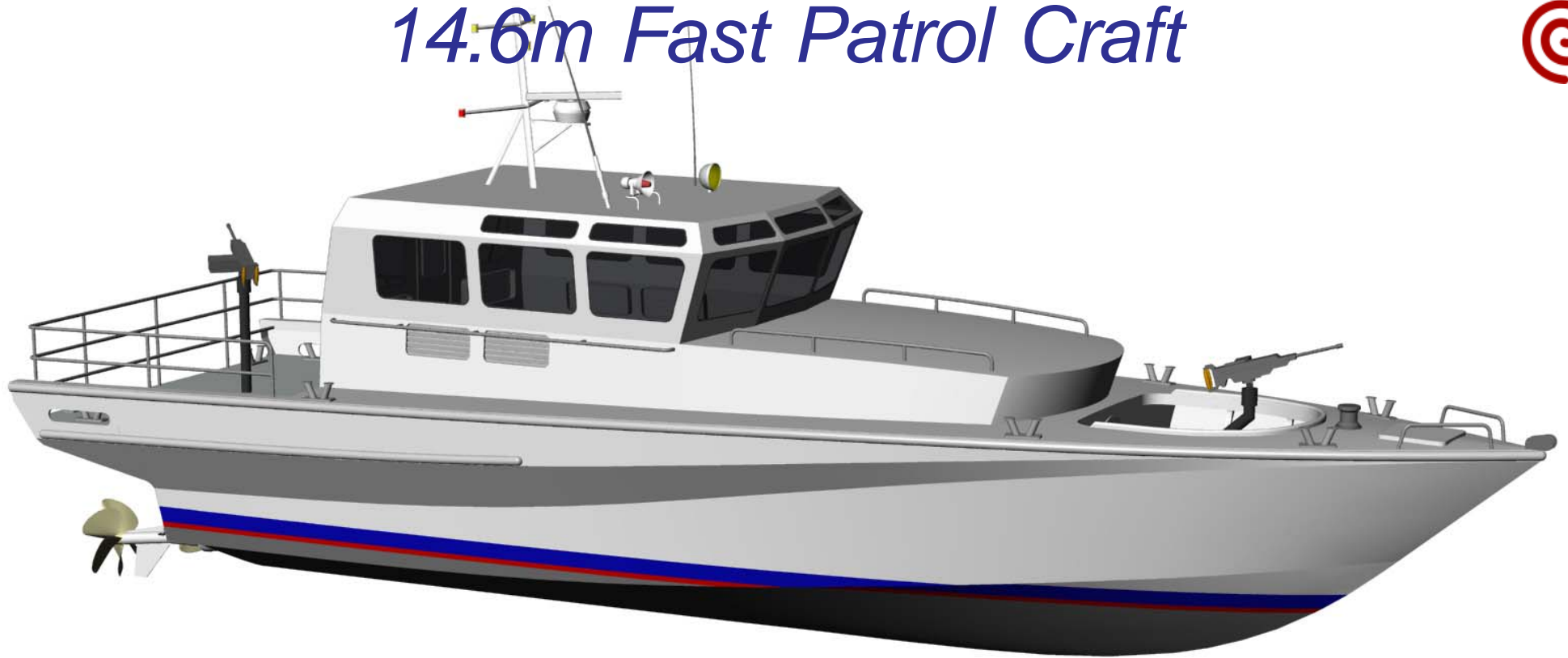
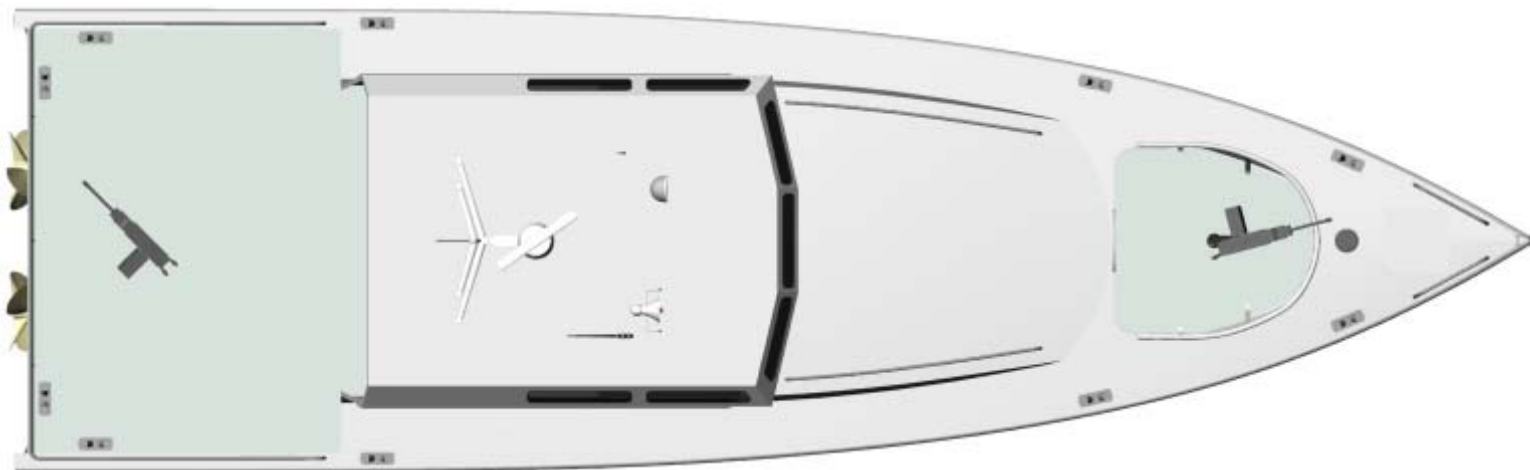


14.6m Fast Patrol Craft



Mark Williamson Design
48 Sweetgum St, Ashmore Qld 4214, Australia
Ph: (617) 5597 3521 www.mwdesign.net.au

14.6m Fast Patrol Craft



PRINCIPAL DATA

LOA :	14.6m
LWL :	11.2m
Beam :	4.4m
Draft :	0.70m
Construction:	Marine Grade Aluminium
Fuel :	2x1200lts
Freshwater:	300lts
Main Engines:	2 x 700HP
Max Speed :	45knots
Cruise Speed:	35knots

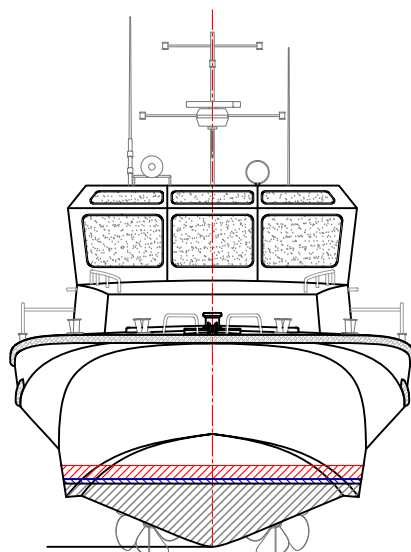
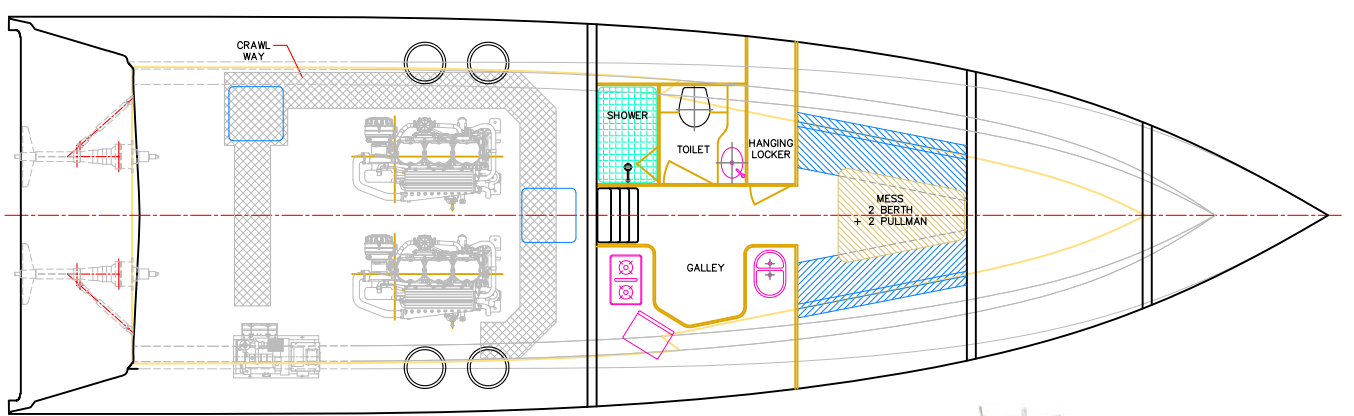
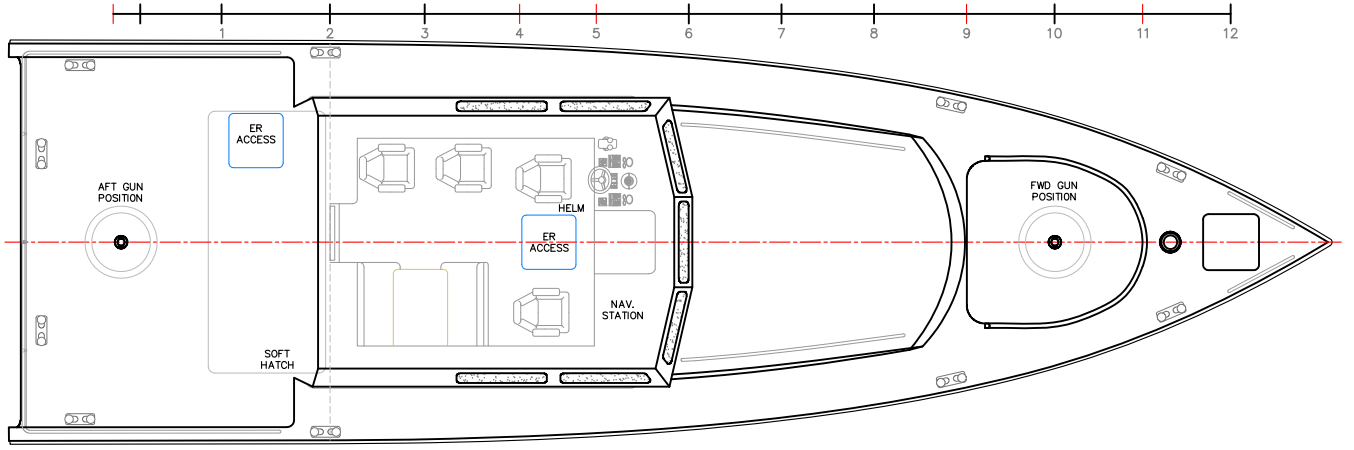
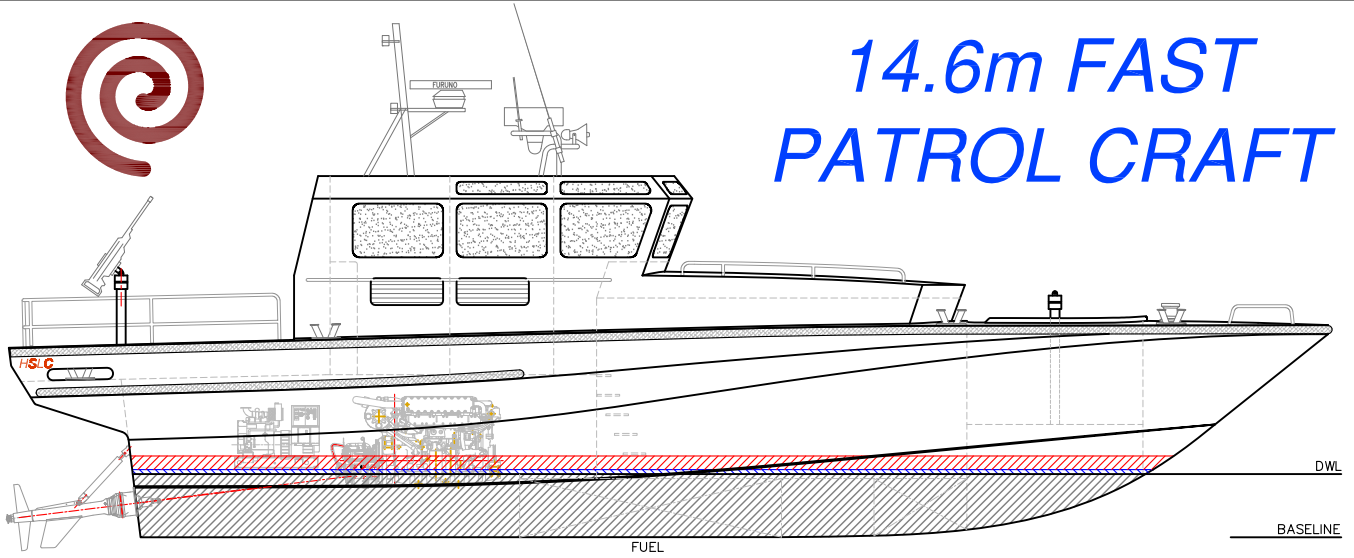
Classification :
DNV ✕1A1 HSLC R3 PATROL
Survey: USL 2B

Mark Williamson Design
48 Sweetgum St, Ashmore Qld 4214, Australia
Ph: (617) 5597 3521 www.mwdesign.net.au





14.6m FAST PATROL CRAFT



LOA: 14.6m
 Lmoulded: 13.4m
 LWL: 11.2m
 BEAM: 4.4m
 DRAFT: 0.7m
 DEADRISE: 23degrees
 FUEL: 2x1200lts
 WATER: 300lts
 MAIN ENGINES: 2 x CAT C12
 522kW @ 2300rpm
 GEARBOX: 2 x ZF 325-1A
 PROPULSION: 2 x ASD11
 SPEED-max: 45knots
 SPEED-Cruise: 30knots
 RANGE-Cruise: 320nm *

CLASS STANDARD:
 DNV 1A1 HSLC R3 PATROL
 SURVEY: USL 2B

CONSTRUCTION:
 MARINE GRADE ALUMINIUM



LightCraft
 fast patrol craft

VESSEL: 14.6m FAST PATROL CRAFT			
TITLE: GENERAL ARRANGEMENT			
DWG No: P14.6-100	DATE: 29/10/2005	SCALE:	DRAWN: MDW

MARK WILLIAMSON DESIGN
 Consulting Naval Architects & Mechanical Engineers
 48 Sweetgum St, Ashmore, Queensland 4214, Australia
 Ph: 617 5597 3521 www.mwdesign.net.au

COPYRIGHT © THIS DRAWING AND THE INFORMATION CONTAINED HEREON IS SUPPLIED ON THE UNDERSTANDING THAT IT IS THE EXCLUSIVE PROPERTY OF MARK WILLIAMSON DESIGN PTY. LTD. AND MUST NOT BE USED OR REPRODUCED IN WHOLE OR IN PART WITHOUT PERMISSION IN WRITING.