

13m Harbour Patrol Vessel



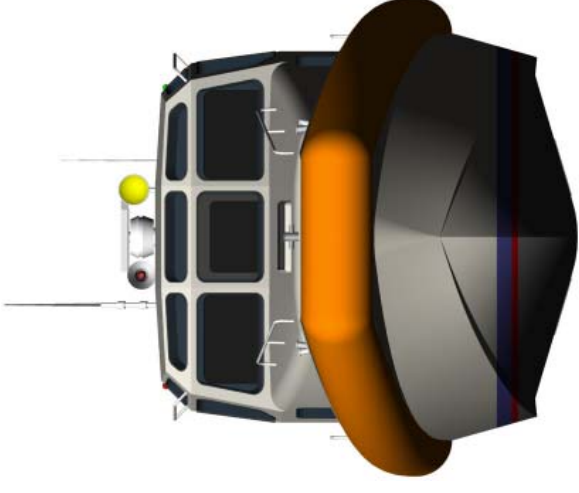
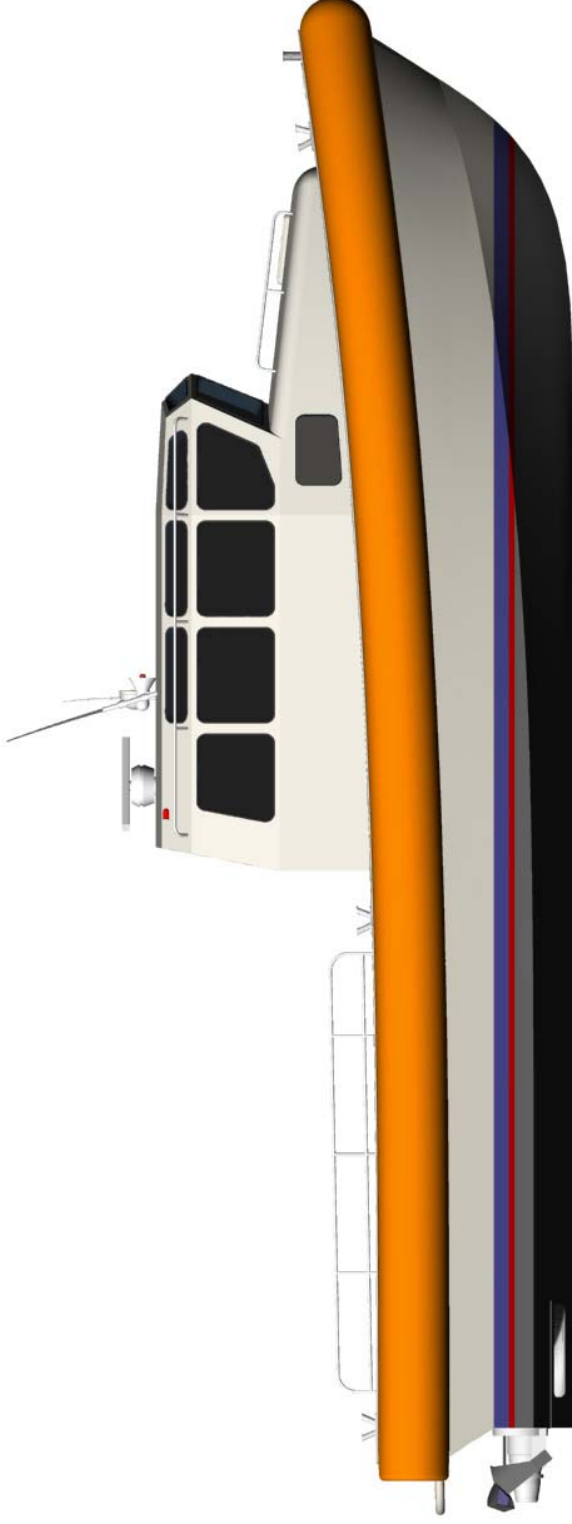
Mark Williamson Design

48 Sweetgum St, Ashmore Qld 4214, Australia

Ph: (617) 5597 3521 Fax: (617) 5597 3529 www.mwdesign.net.au



13m Harbour Patrol Vessel



LOA : 12.8m
LWL : 10.9m
Beam : 4.0m
Draft : 0.5m
Fuel : 2 x 675lbs
Power : 2 x 235kW
Speed : 33.6 knots
Aft Deck: 19.2sqm

Classification :
DNV ✕1A1 HSLC R3 PATROL

Construction :
Marine Grade Aluminium



Mark Williamson Design
48 Sweetgum St, Ashmore Qld 4214, Australia
Ph: (617) 5597 3521 Fax: (617) 5597 3529 www.mwdesign.net.au

Vessel Description

13m Harbour Patrol Vessel

VESSEL TYPE: High Speed Aluminium planing monohull

PPRINCIPAL DATA:

Length Overall	12.8 metres
Length WL	10.9 metres
Beam	4.0 metres
Draft	0.5 metres
Construction	Marine Grade Aluminium
Class Standard	DNV ✕1A1 HSLC R3 PATROL
Survey	USL 2B
Main Engines	2 x CUMMINS 6BTA5.9-M 235kW @ 2800rpm
Gearbox	2 x ZF220
Propulsion	2 x Hamilton Waterjet HJ274
Auxiliary	10kW Yanmar
Loiter Propulsion	Whisper Boat Electric Propulsion System Permanent magnet "Pancake" Motor, 60V 13.2kW
Maximum Speed	33.6 knots
Loiter Speed	5 knots
Fuel Capacity	2 x 675 litres
Freshwater	200 litres
Crew	2
Personnel Capacity	25

STRUCTURE:

Materials (to be inspected as required by Survey Authority and Owners Representative):

Sheet and Plate - Grade 5083-H321, H116, 5086-H32. Extrusions - Grade 6061-T6, 6082-T5

Plating: Bottom : 6mm Chine : 8mm Transom : 5mm Side, Collar : 5mm
Deck, Gunwale : 4mm Deckhouse : 3mm

OUTFIT AND FINISHING:

The vessel shall be laid out as per the general arrangement drawings and all fittings and equipment required for the operation of the vessel shall be supplied.

Layout: Main Deck: Operations Room, Work Deck
Fwd Cabin: Galley , Single Berth, Toilet, Shower
Fitout: Floors: "Aquadeck"
Lining's: FRP

Noise Levels

The noise level at the centre of the wheelhouse shall not exceed 65 dB(A).

AIR CONDITIONING SYSTEM:

Reverse cycle system is based on an water cooled compressor unit linked up to a multiple number of fan coil units. Design of the system shall be based upon an ambient operating temperature of 40°C (95% RH) and sea water of 32°C. Crew spaces to be cooled/heated to 21°C (50% RH).

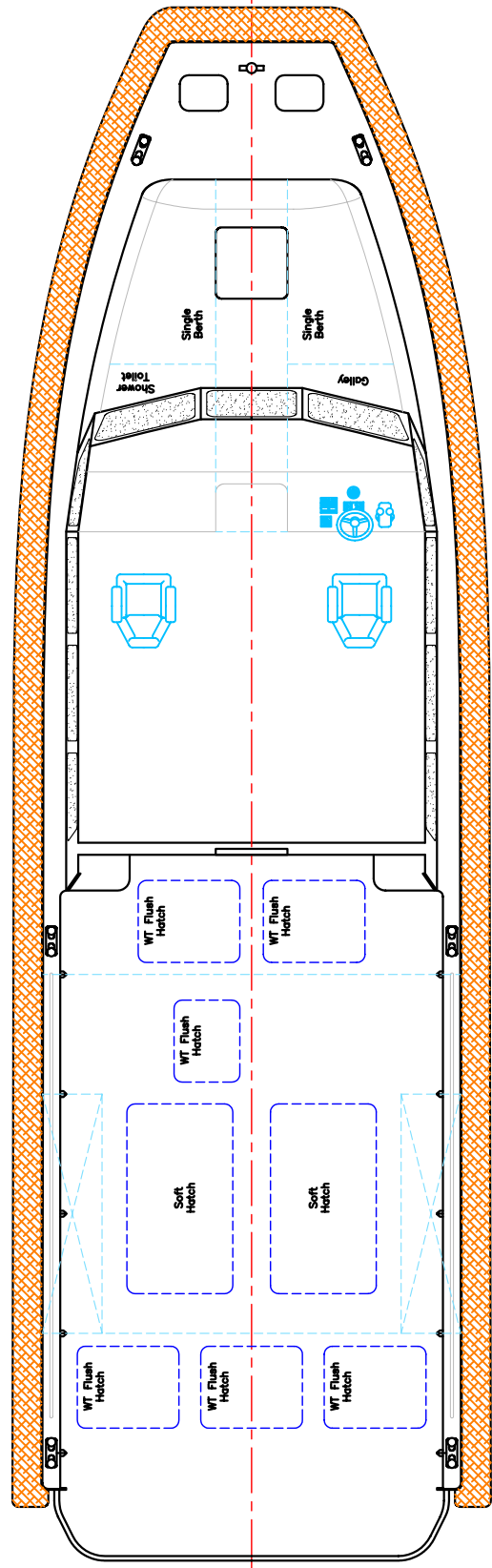
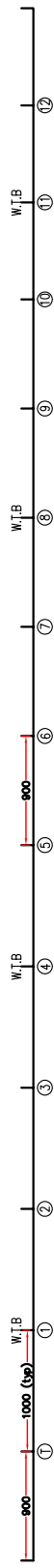
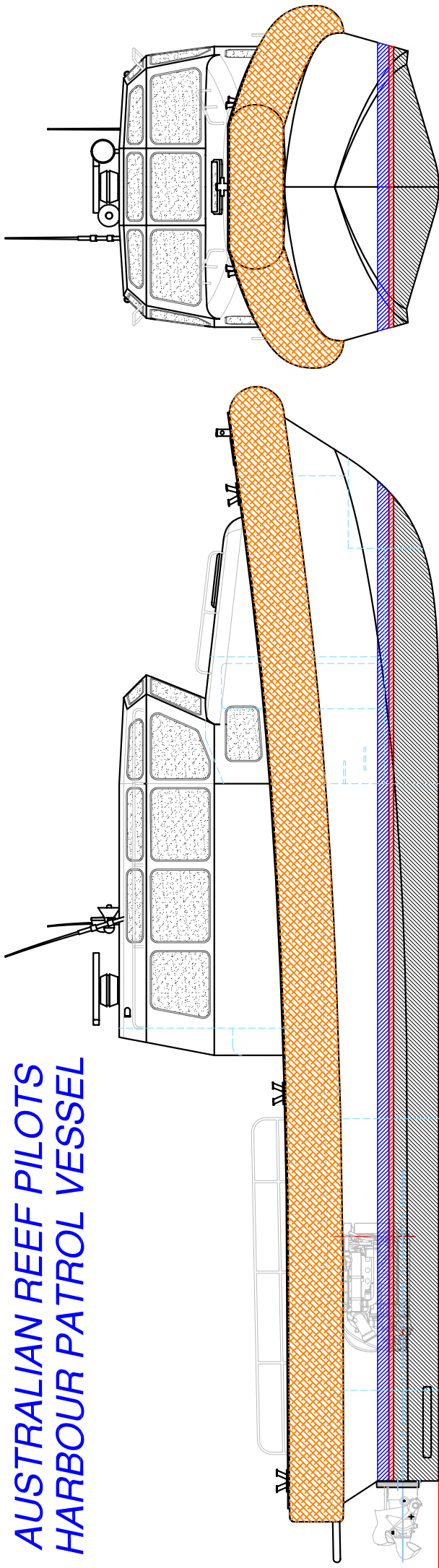
Mark Williamson Design

48 Sweetgum St, Ashmore Qld 4214, Australia

Ph: (617) 5597 3521 Fax: (617) 5597 3529 www.mwdesign.net.au



AUSTRALIAN REEF PILOTS HARBOUR PATROL VESSEL



PRINCIPAL PARTICULARS
 LOA: 12.8m
 LWL: 10.9m
 BEAM: 4.0m
 DRAFT: 0.5m
 MAIN ENGINE: 2 x CUMMINS 6BTA-M
 235kW @ 2800rpm
 PROPULSION: 2 x HJ274
 FUEL: 2 x 675lts
 SPEED: 34knots
 AFT DECK: 19.2sqm

CLASS STANDARD:
 DNV 1A1 HSLC R3 PATROL
 SURVEY: USL 2B

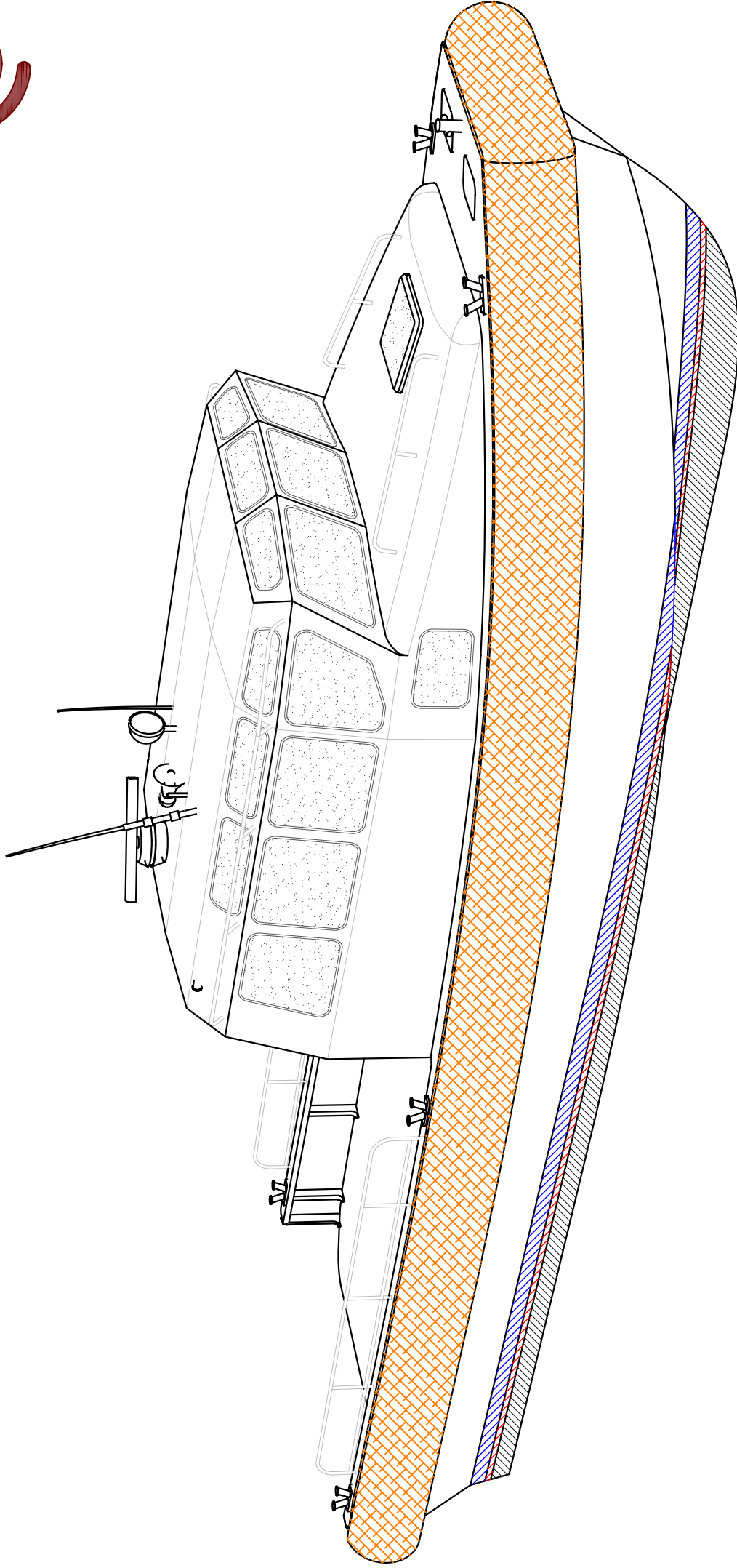
CONSTRUCTION:
 MARINE GRADE ALUMINIUM

copyright ©
 THIS DRAWING AND/OR SPECIFICATION IS THE PROPERTY OF MARK WILLIAMSON DESIGN PTY LTD. IT IS NOT TO BE USED BY OR DISCLOSED TO ANY THIRD PERSON WITHOUT THE EXPRESSED PERMISSION OF MARK WILLIAMSON DESIGN PTY LTD.

MARK WILLIAMSON DESIGN
 Consulting Naval Architects & Mechanical Engineers
 48 Sweetgum St, Ashmore, Queensland 4214, Australia
 Ph: 617 5597 3521 Fax: 617 5597 3529 www.mwdesign.net.au

13m HARBOUR PATROL
TITLE: GENERAL ARRANGEMENT
DWG No: HP13-100 SCALE:
DATE: 24/7/2004 DRAWN: MDW

13m Harbour Patrol



copyright ©

THIS DRAWING AND/OR SPECIFICATION IS THE PROPERTY OF MARK WILLIAMSON DESIGN PTY LTD. IT IS NOT TO BE USED BY OR DISCLOSED TO ANY THIRD PERSON WITHOUT THE EXPRESSED PERMISSION OF MARK WILLIAMSON DESIGN PTY LTD.

MARK WILLIAMSON DESIGN
Consulting Naval Architects & Mechanical Engineers
48 Sweetgum St, Ashmore, Queensland 4214, Australia
Ph: 617 5597 3521 Fax: 617 5597 3529 www.mwdesign.net.au

13m HARBOUR PATROL

TITLE: GENERAL ARRANGEMENT 3d

DWG No: HP13-100a SCALE:

DATE: 24/7/2004 DRAWN: MDW