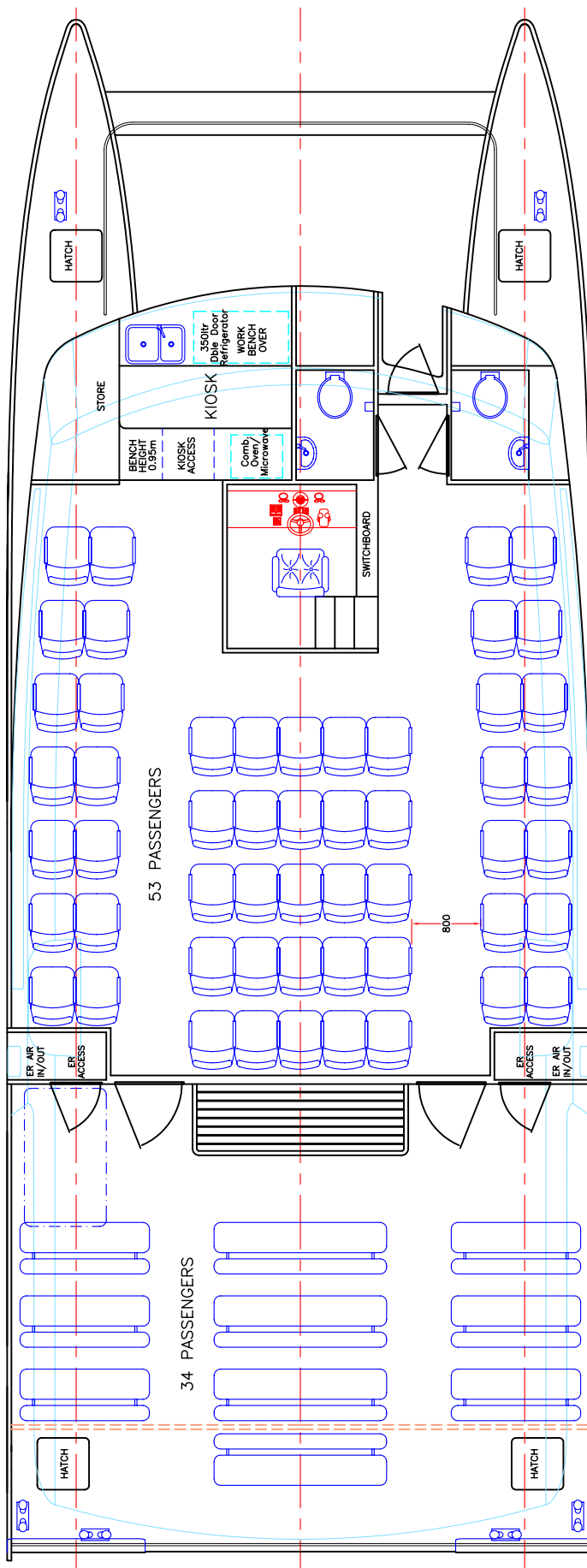
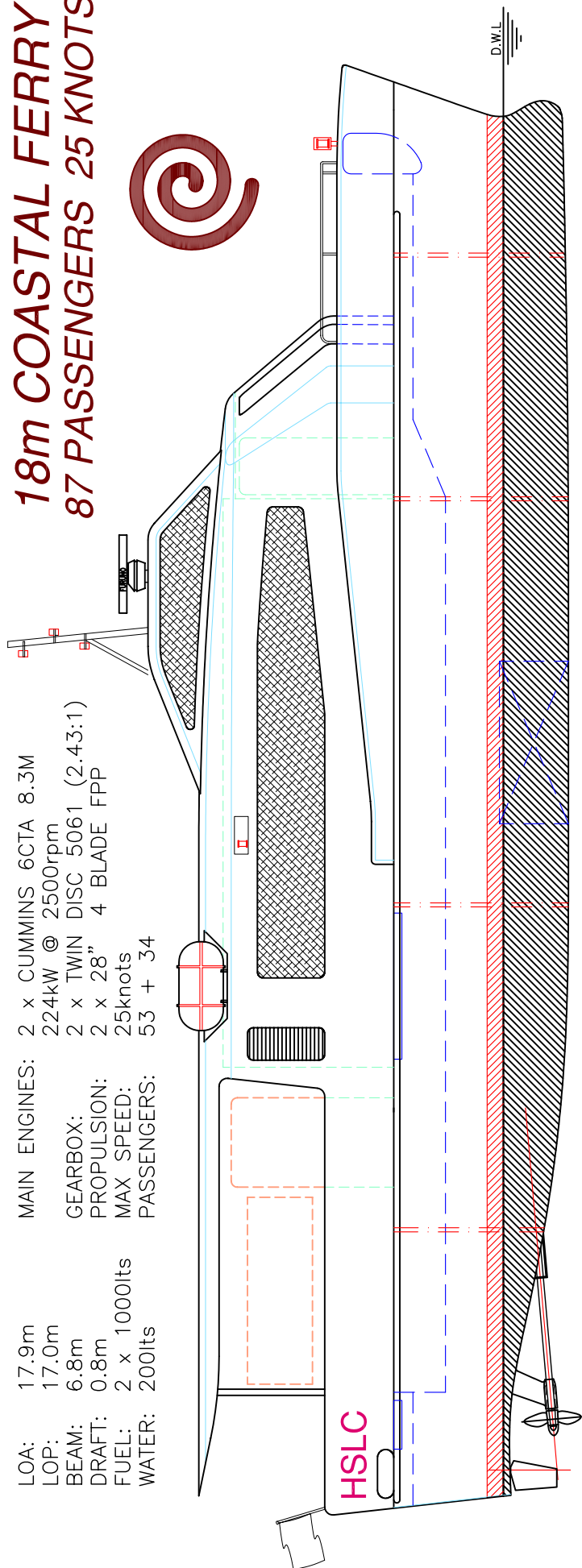


18m COASTAL FERRY 87 PASSENGERS 25 KNOTS



MAIN ENGINES: 2 x CUMMINS 6CTA 8.3M
 224kW @ 2500rpm
GEARBOX: 2 x TWIN DISC 5061 (2.43:1)
PROPULSION: 2 x 28" 4 BLADE FPP
MAX SPEED: 25knots
PASSENGERS: 53 + 34

LOA: 17.9m
LOP: 17.0m
BEAM: 6.8m
DRAFT: 0.8m
FUEL: 2 x 1000lts
WATER: 200lts



copyright ©

THIS DRAWING AND/OR SPECIFICATION IS THE PROPERTY OF MARK WILLIAMSON DESIGN PTY LTD. IT IS NOT TO BE USED BY OR DISCLOSED TO ANY THIRD PERSON WITHOUT THE EXPRESSED PERMISSION OF MARK WILLIAMSON DESIGN PTY LTD.

MARK WILLIAMSON DESIGN

Consulting Naval Architects & Mechanical Engineers

48 Sweetgum St, Ashmore, Queensland 4214, Australia
 Ph: 617 5597 3521 Fax: 617 5597 3529 www.mwdesign.net.au

18m CATAMARAN FERRY

TITLE: GENERAL ARRANGEMENT

DWG No: P18T-100

SCALE:

DATE: 22/1/2004

DRAWN: MDW