

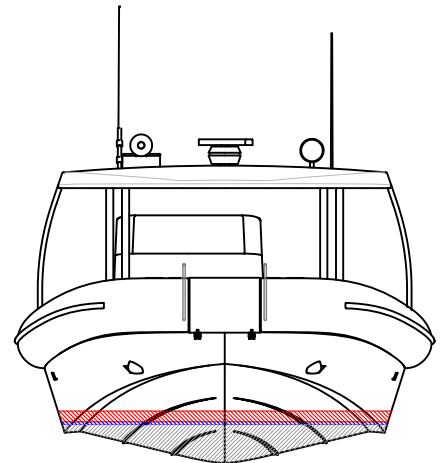
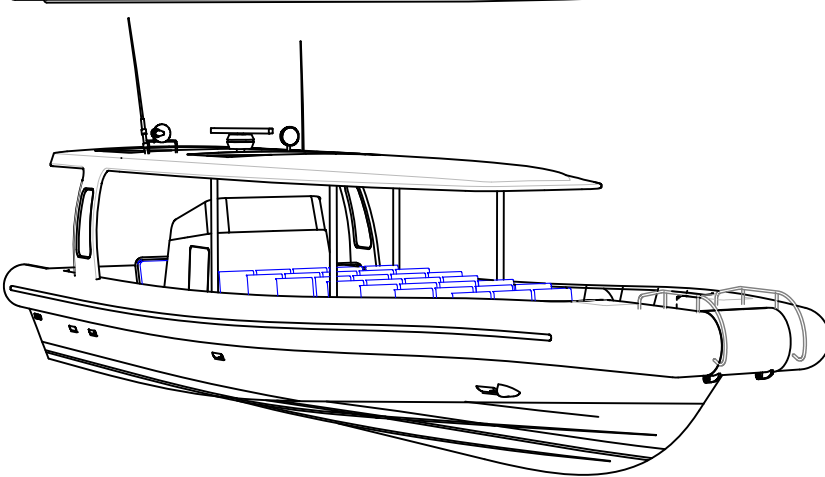
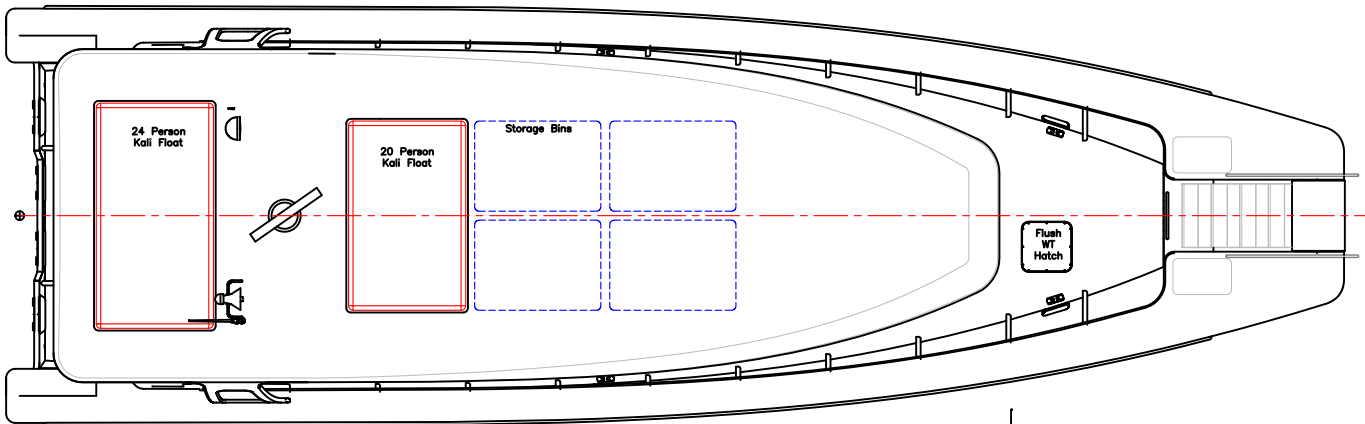
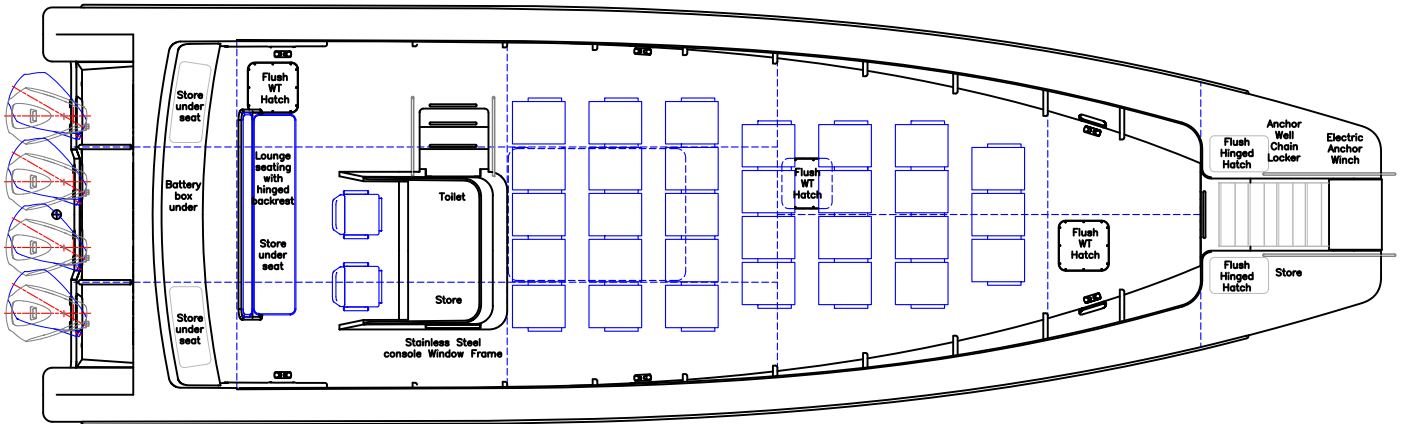
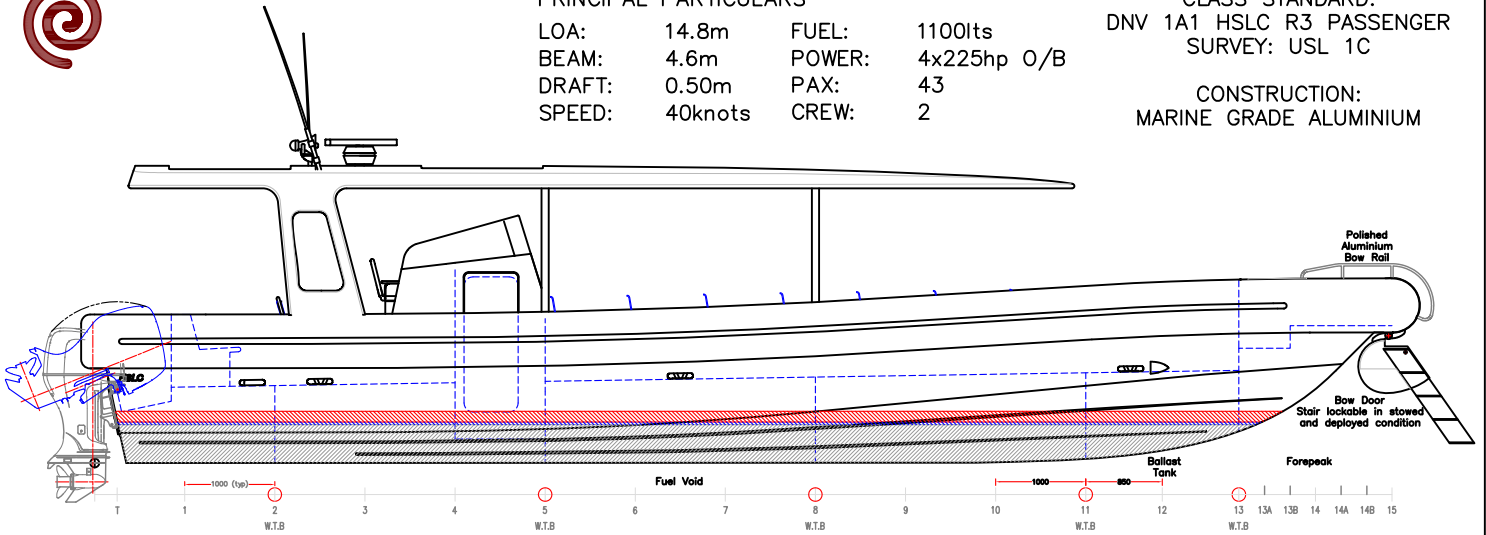


PRINCIPAL PARTICULARS

LOA: 14.8m FUEL: 1100lts
 BEAM: 4.6m POWER: 4x225hp O/B
 DRAFT: 0.50m PAX: 43
 SPEED: 40knots CREW: 2

CLASS STANDARD:
 DNV 1A1 HSLC R3 PASSENGER
 SURVEY: USL 1C

CONSTRUCTION:
 MARINE GRADE ALUMINIUM



copyright ©

THIS DRAWING AND/OR SPECIFICATION IS THE PROPERTY OF MARK WILLIAMSON DESIGN PTY LTD. IT IS NOT TO BE USED BY OR DISCLOSED TO ANY THIRD PERSON WITHOUT THE EXPRESSED PERMISSION OF MARK WILLIAMSON DESIGN PTY LTD.

MARK WILLIAMSON DESIGN
 Consulting Naval Architects & Mechanical Engineers
 48 Sweetgum St, Ashmore, Queensland 4214, Australia
 Ph: 617 5597 3521 www.mwdesign.net.au

VESSEL:	14.8m FERRY
TITLE:	GENERAL ARRANGEMENT
DWG No:	R14-100
SCALE:	
DATE:	3/7/2008
DRAWN:	MDW