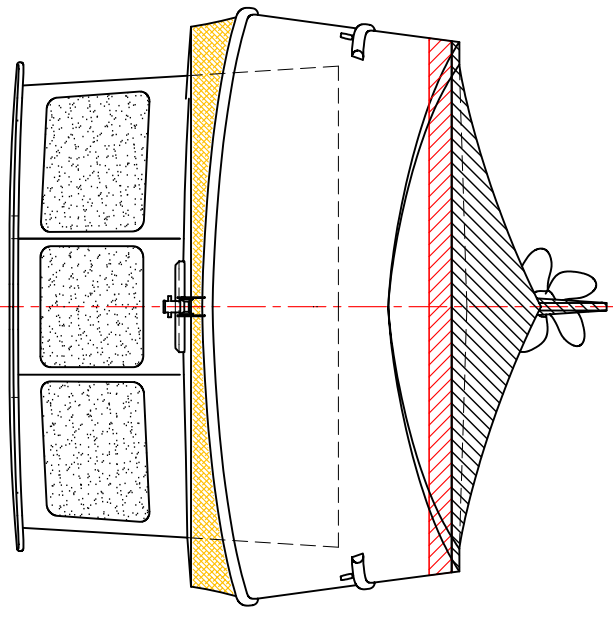
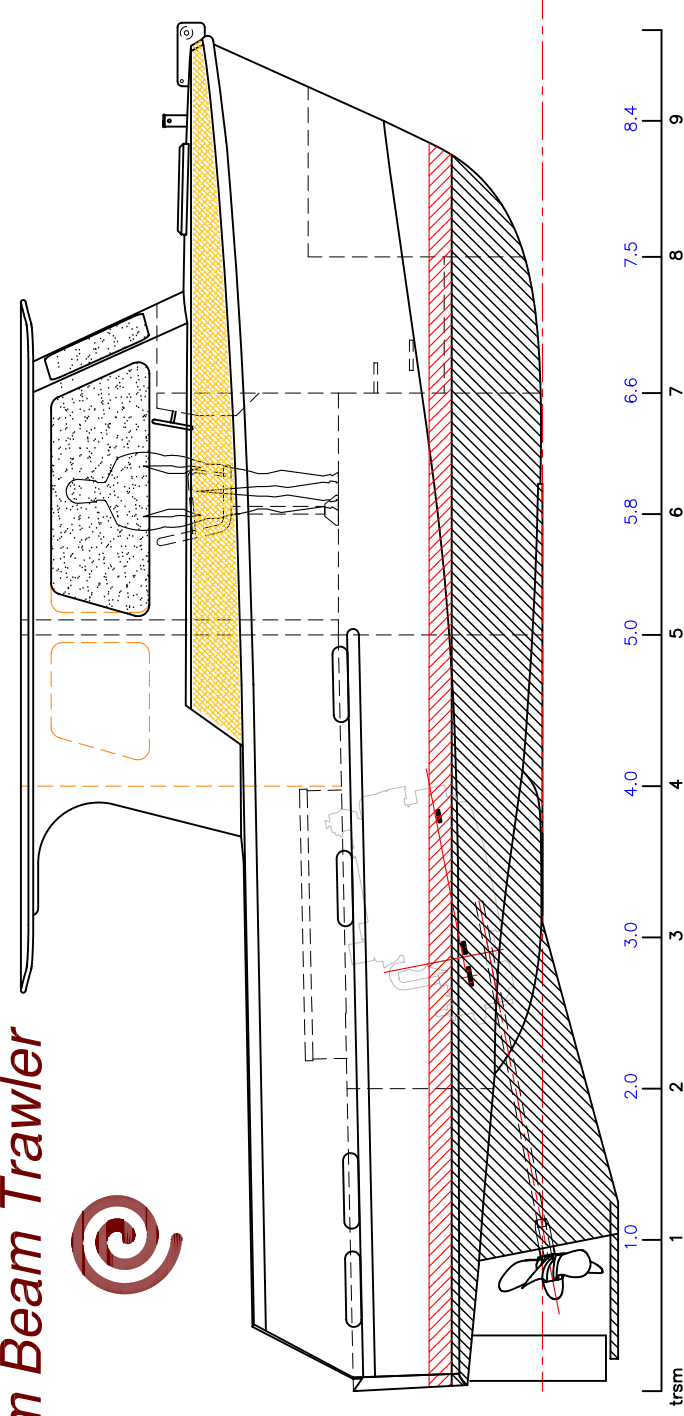
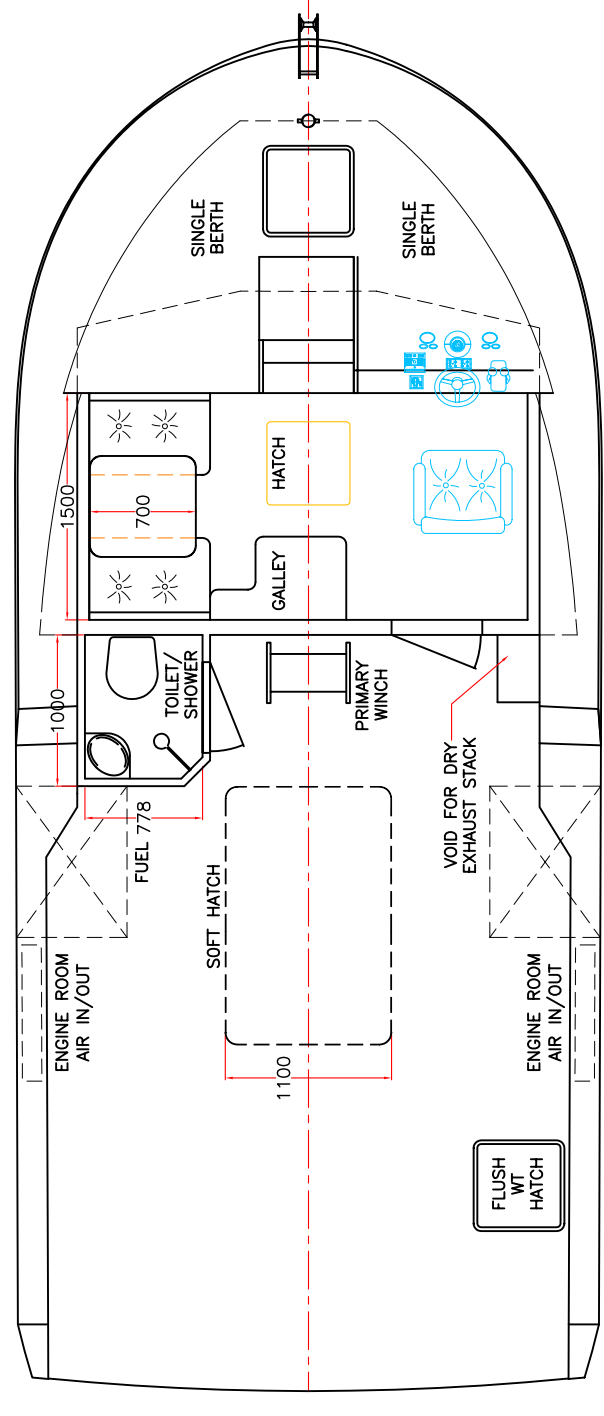


# 9m Beam Trawler



- LOA: 9.0m
- LWL: 8.3m
- BEAM: 3.95m
- DRAFT: 1.25m
- FUEL: 2x400lts
- WATER: 250lts
- MAIN ENGINES: DAEWOO MD136
- 160HP @ 2200rpm
- GEARBOX: TK250 (3:1)
- PROPULSION: 28" 5 BLADE FPP
- SPEED-max: 14 knots
- SPEED-cruise: 9 knots
- PAYLOAD: 4 tonnes

CONSTRUCTION:  
MARINE GRADE ALUMINIUM



copyright ©  
THIS DRAWING AND/OR SPECIFICATION IS THE PROPERTY OF MARK WILLIAMSON DESIGN PTY LTD. IT IS NOT TO BE USED BY OR DISCLOSED TO ANY THIRD PERSON WITHOUT THE EXPRESSED PERMISSION OF MARK WILLIAMSON DESIGN PTY LTD.

**MARK WILLIAMSON DESIGN**  
Consulting Naval Architects & Mechanical Engineers  
48 Sweetgum St, Ashmore, Queensland 4214, Australia  
Ph: 617 5597 3521 Fax: 617 5597 3529 www.mwdesign.net.au

VESSEL:	9m BEAM TRAWLER
TITLE:	GENERAL ARRANGEMENT
DWG No:	9T-100
SCALE:	1:50
DATE:	5/11/04
DRAWN:	MDW