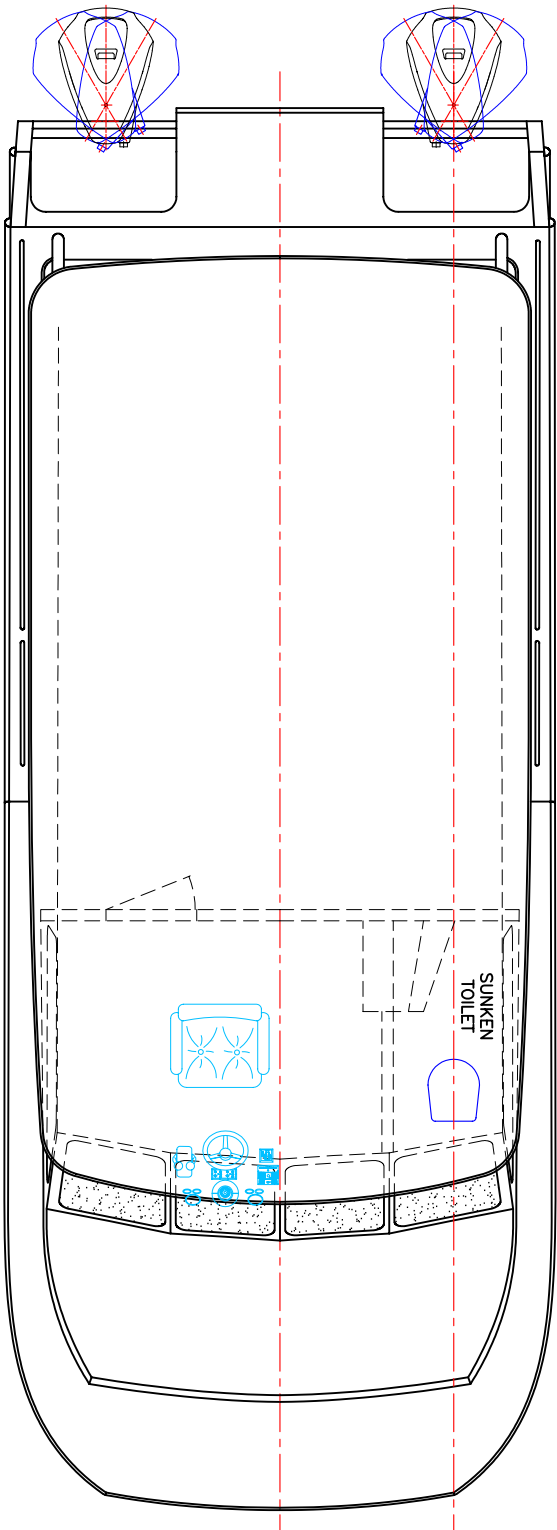
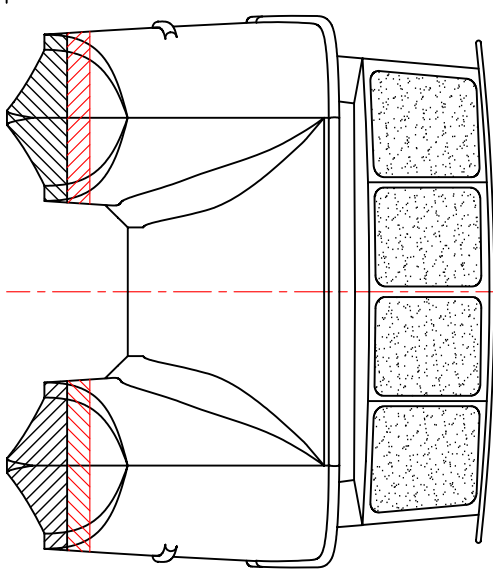
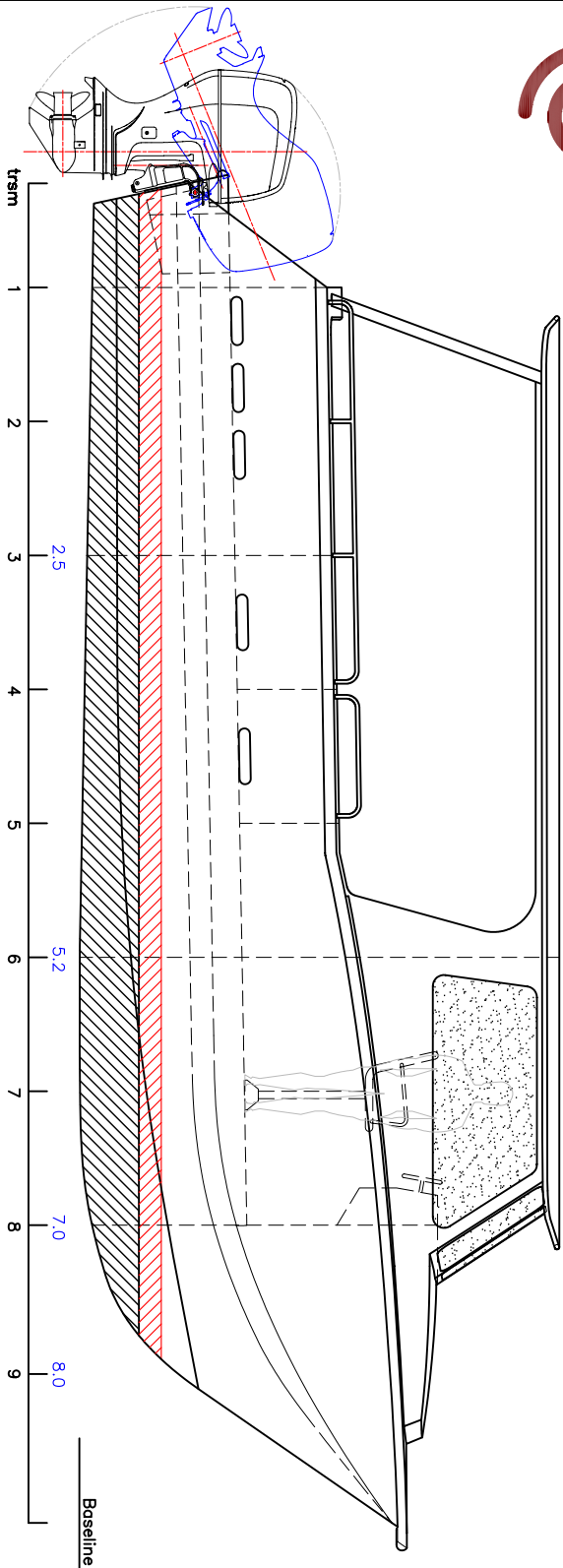




# 9m CHARTER CATAMARAN



LOA: 9.2m  
 LWL: 7.7m  
 BEAM: 3.6m  
 DRAFT: 0.45m  
 FUEL: 2x400lts  
 WATER: 300lts  
 MAIN ENGINES: 2 x 225 hp  
 SPEED-max: 35 knots  
 SPEED-cruise: 25 knots  
 PASSENGERS: 12  
 SURVEY: USL 2C

CONSTRUCTION:  
 MARINE GRADE ALUMINIUM

copyright ©

THIS DRAWING AND/OR SPECIFICATION IS THE PROPERTY OF MARK WILLIAMSON DESIGN PTY LTD. IT IS NOT TO BE USED BY OR DISCLOSED TO ANY THIRD PERSON WITHOUT THE EXPRESSED PERMISSION OF MARK WILLIAMSON DESIGN PTY LTD.

**MARK WILLIAMSON DESIGN**  
 Consulting Naval Architects & Mechanical Engineers

48 Sweetgum St, Ashmore, Queensland 4214, Australia  
 Ph: 617 5597 3521 Fax: 617 5597 3529 www.mwdesign.net.au

VESSEL: 9m Charter Catamaran

TITLE: GENERAL ARRANGEMENT

DWG No: 9CC-100 SCALE: 1:50

DATE: 27/10/04 DRAWN: MDW