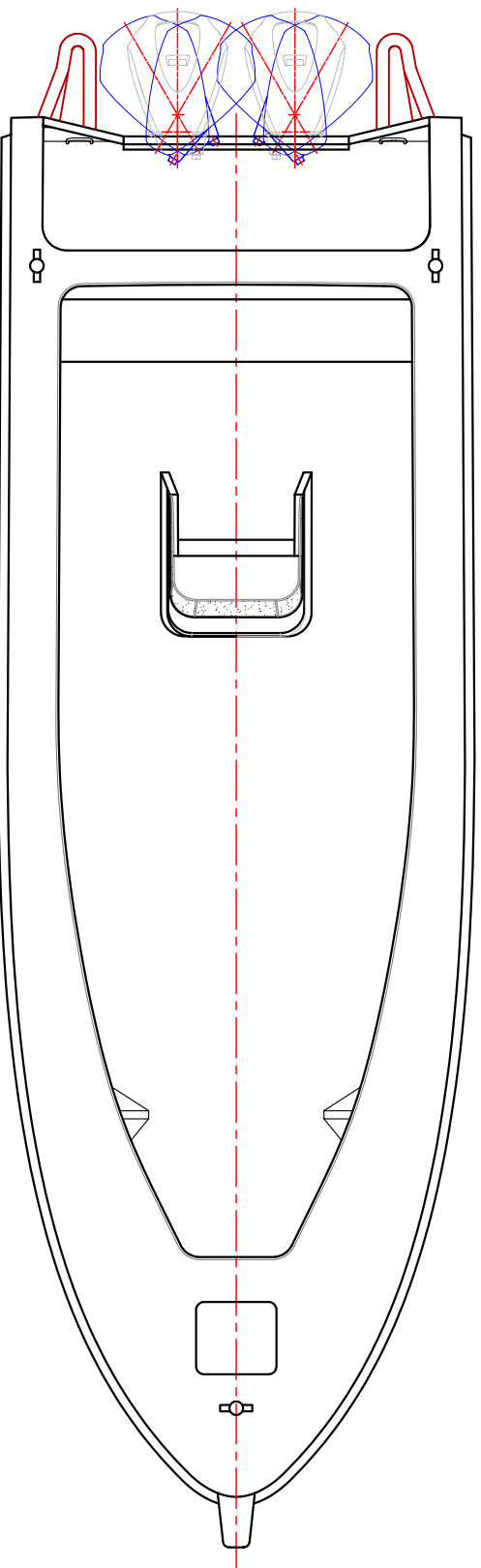
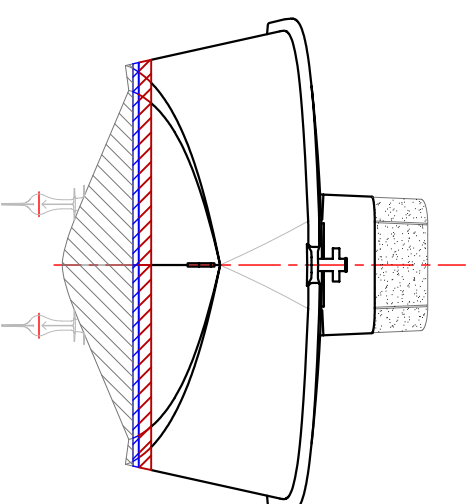
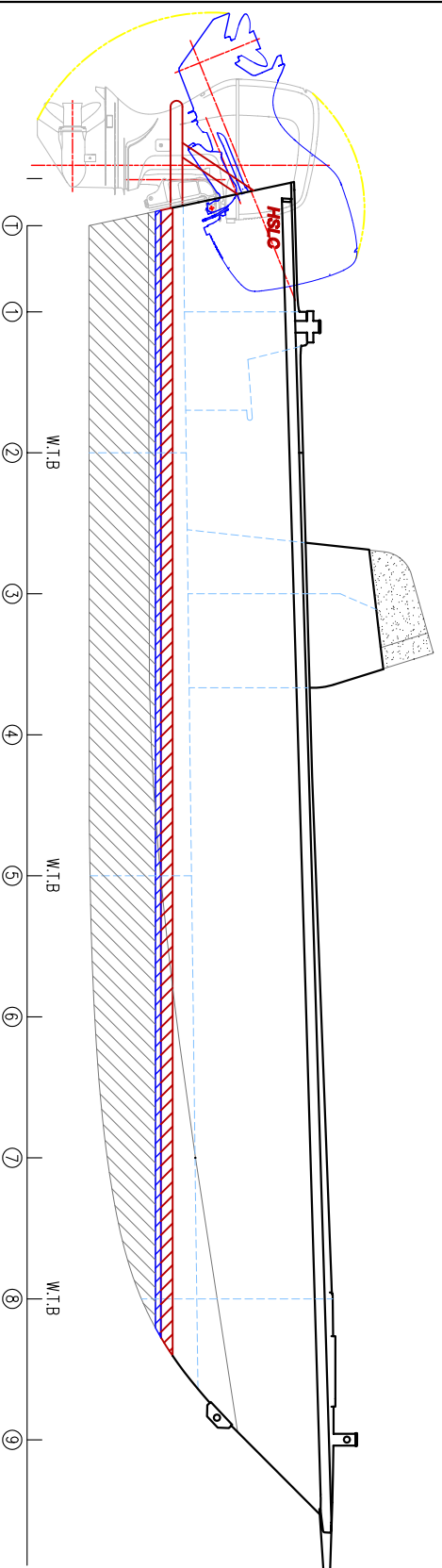


# Jordan Boats

## 9.5m FAST WORK BOAT



### PRINCIPAL PARTICULARS

LOA: 9.5m  
 BEAM: 2.8m  
 DRAFT: 0.5m  
 DEADRISE: 23 Degrees  
 SPEED: 50knots  
 FUEL: 550lts  
 POWER: 2x250hp

CLASSIFICATION:  
 DNV 1A1 HSLC R2 PATROL  
 CONSTRUCTION:  
 MARINE GRADE ALUMINIUM

copyright ©

THIS DRAWING AND/OR SPECIFICATION IS THE PROPERTY OF MARK WILLIAMSON DESIGN PTY LTD. IT IS NOT TO BE USED BY OR DISCLOSED TO ANY THIRD PERSON WITHOUT THE EXPRESSED PERMISSION OF MARK WILLIAMSON DESIGN PTY LTD.

## MARK WILLIAMSON DESIGN

Consulting Naval Architects & Mechanical Engineers

48 Sweetgum St, Ashmore, Queensland 4214, Australia  
 Ph: 617 5597 3521 Fax: 617 5597 3529 www.mwdesign.net.au

VESSEL: 9.5m FAST WORK BOAT

TITLE: GENERAL ARRANGEMENT

DWG No: W95-100 SCALE:

DATE: 15/09/2004 DRAWN: MDW