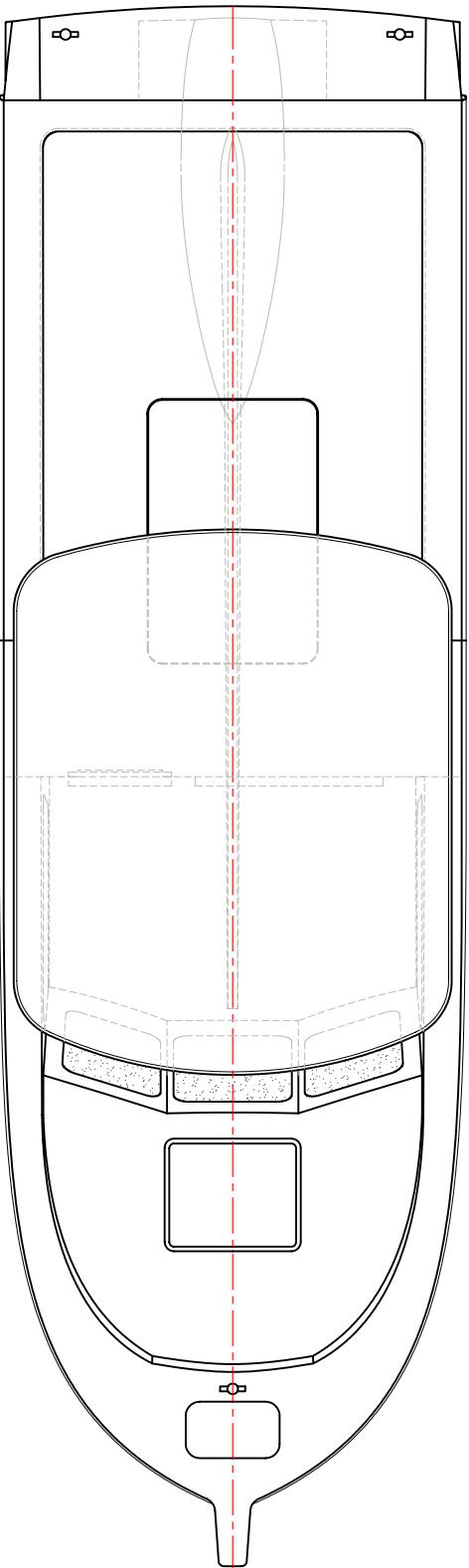
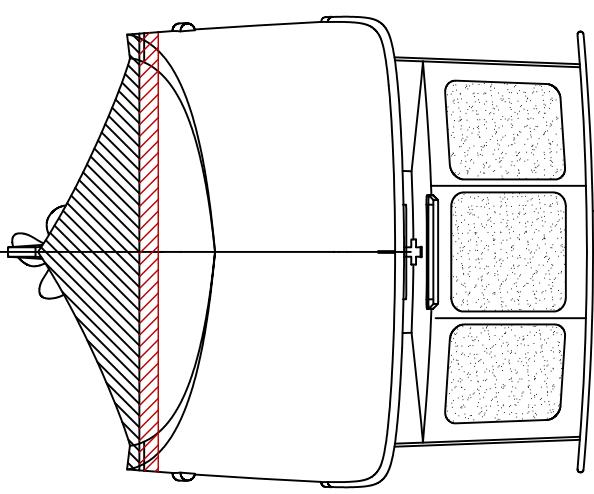
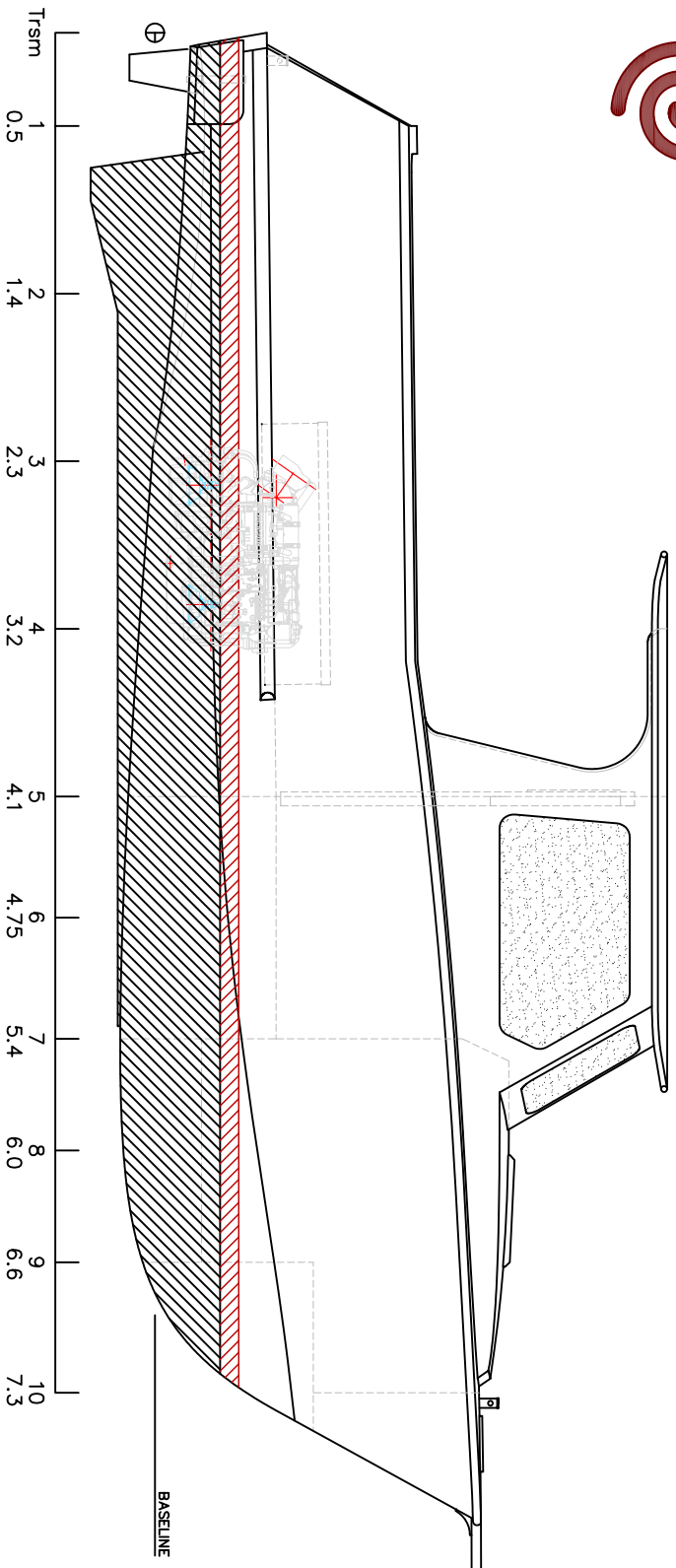




8m Coastal Cruiser



PRINCIPAL DATA

LOA: 8.25m
 LWL: 7.15m
 BEAM: 2.5m
 DRAFT: 0.75m
 FUEL: 2x250lts
 WATER: 100lts
 MAIN ENGINES: YANMAR 4LHA-STP
 190HP @ 3100rpm
 ZF63A (2.04:1)
 GEARBOX:
 PROPULSION: 20" 4 BLADE FPP
 SPEED-max: 23knots
 SPEED-cruise: 17knots

CONSTRUCTION:

MARINE GRADE ALUMINIUM

copyright ©

THIS DRAWING AND/OR SPECIFICATION IS THE PROPERTY OF MARK WILLIAMSON DESIGN PTY LTD. IT IS NOT TO BE USED BY OR DISCLOSED TO ANY THIRD PERSON WITHOUT THE EXPRESSED PERMISSION OF MARK WILLIAMSON DESIGN PTY LTD.

MARK WILLIAMSON DESIGN

Consulting Naval Architects & Mechanical Engineers

48 Sweetgum St, Ashmore, Queensland 4214, Australia
 Ph: 617 5597 3521 Fax: 617 5597 3529 www.mwdesign.net.au

VESSEL: 8m Coastal Cruiser

TITLE: GENERAL ARRANGEMENT

DWG No: 8c-100 SCALE: 1:40

DATE: 22/10/04 DRAWN: MDW