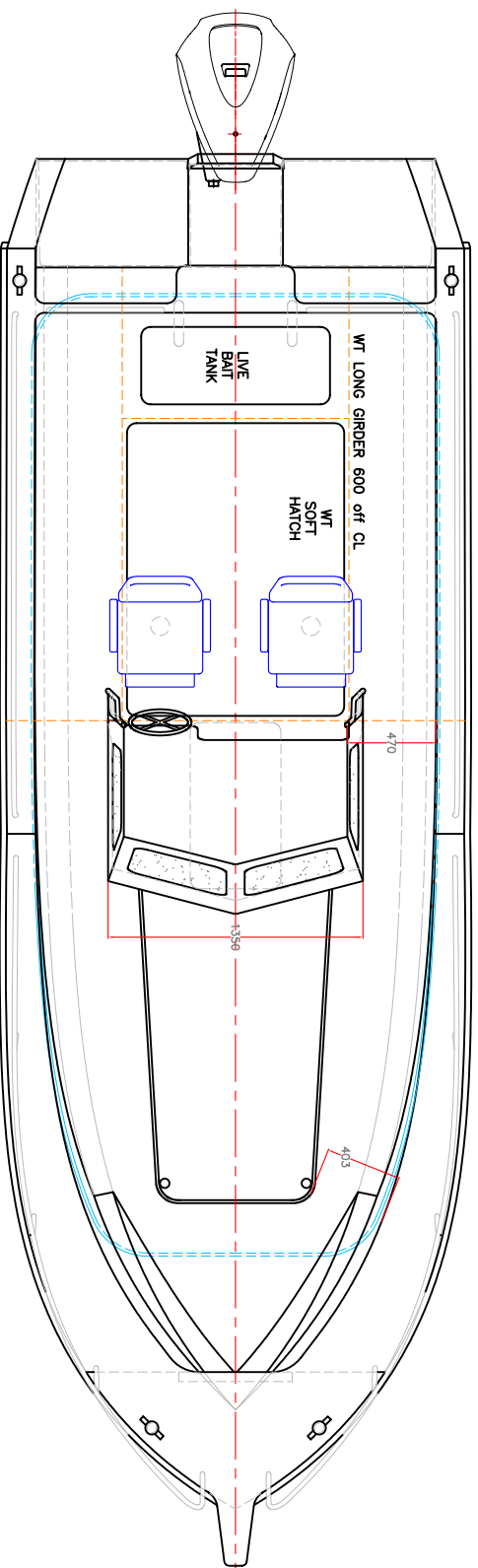
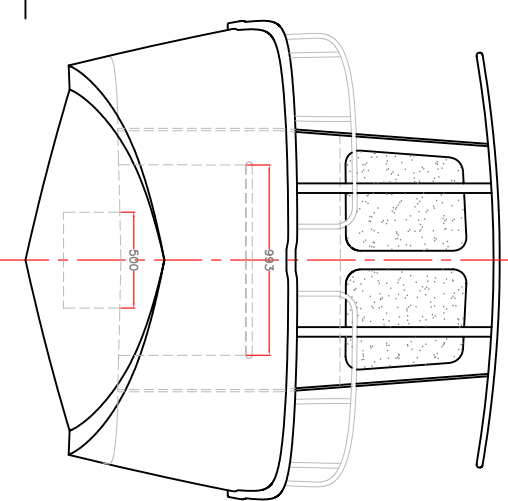
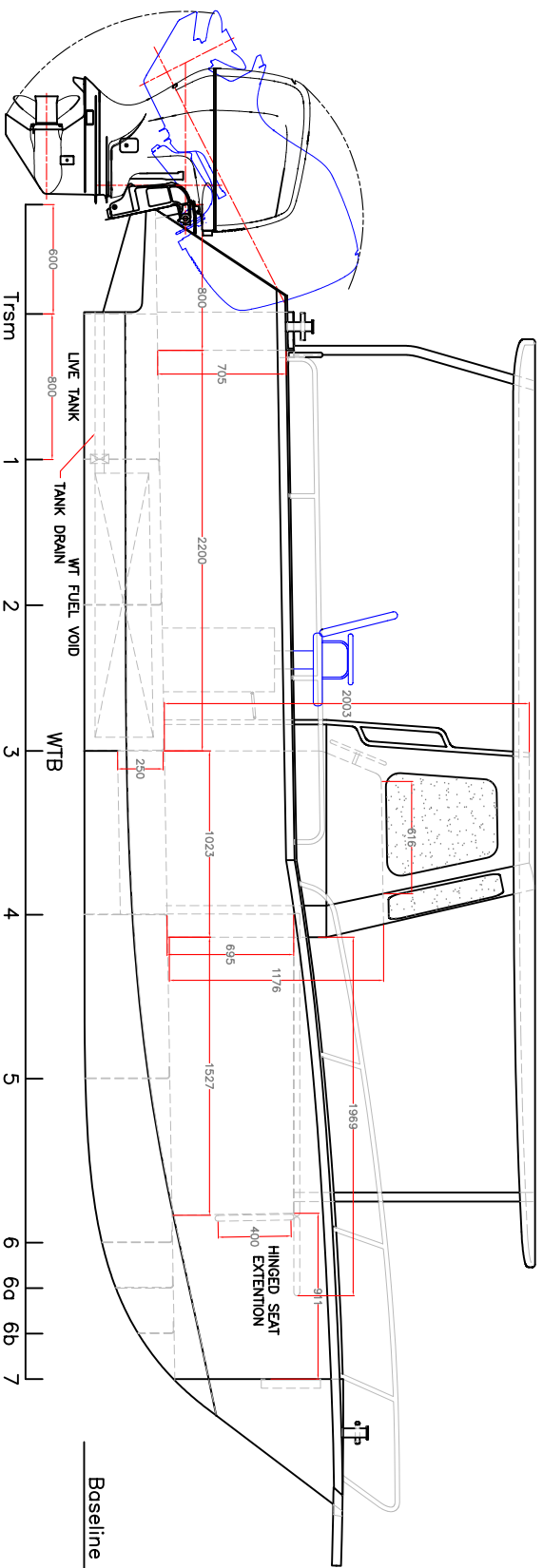


# 7.2m OFFSHORE CENTRE CONSOLE



## PRINCIPAL DATA

Length Overall	7.15 metres
Length WL	5.90 metres
Beam	2.50 metres
Draft	0.25 metres
Power	130–250 hp
Fuel	350litrs
Transom Height	510 mm
Construction	Marine Grade Aluminium



copyright ©

THIS DRAWING AND/OR SPECIFICATION IS THE PROPERTY OF MARK WILLIAMSON DESIGN PTY LTD. IT IS NOT TO BE USED BY OR DISCLOSED TO ANY THIRD PERSON WITHOUT THE EXPRESSED PERMISSION OF MARK WILLIAMSON DESIGN PTY LTD.

**MARK WILLIAMSON DESIGN**

*Consulting Naval Architects & Mechanical Engineers*

48 Sweetgum St, Ashmore, Queensland 4214, Australia  
 Ph: 617 5597 3521 Fax: 617 5597 3529 www.mwdesign.net.au

VESSEL: 7.2m CENTRE CONSOLE

TITLE: GENERAL ARRANGEMENT

DWG No: P72-100 SCALE:

DATE: 22/12/2004 DRAWN: MDW