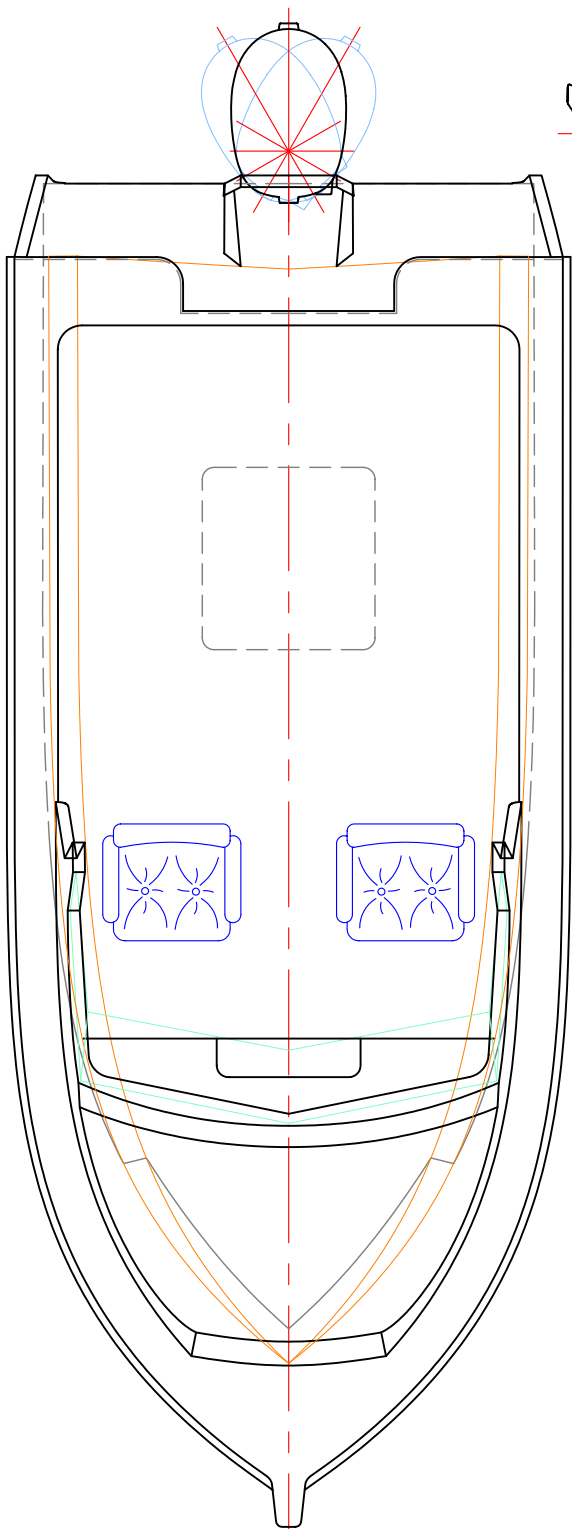
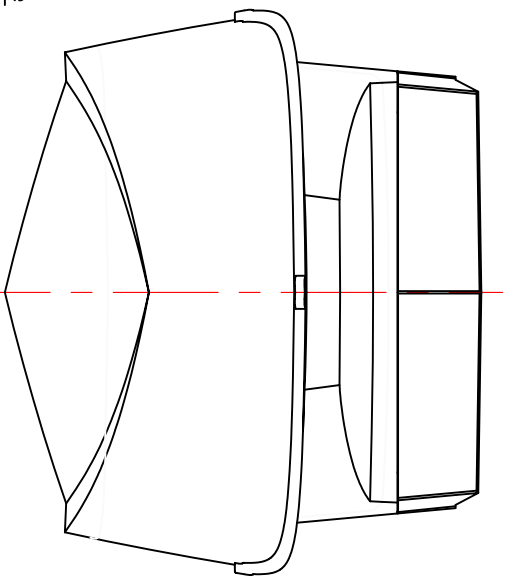
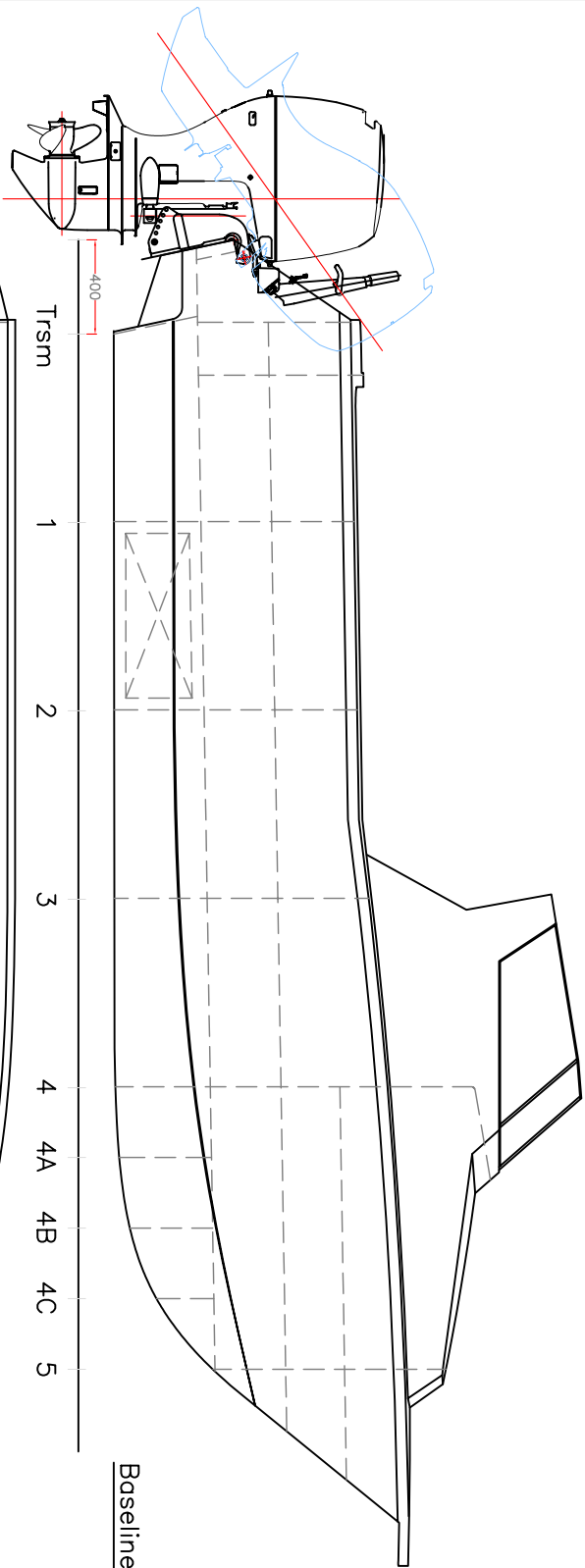


5.4m OFFSHORE CUDDY



PRINCIPAL DATA

Length Overall	5.45 metres
Length WL	4.30 metres
Beam	2.35 metres
Draft	0.25 metres
Power	50 – 130 hp
Fuel	90ltrs
Transom Height	510 mm
Construction	Marine Grade Aluminium



copyright ©

THIS DRAWING AND/OR SPECIFICATION IS THE PROPERTY OF MARK WILLIAMSON DESIGN PTY LTD. IT IS NOT TO BE USED BY OR DISCLOSED TO ANY THIRD PERSON WITHOUT THE EXPRESSED PERMISSION OF MARK WILLIAMSON DESIGN PTY LTD.

MARK WILLIAMSON DESIGN

Consulting Naval Architects & Mechanical Engineers

48 Sweetgum St, Ashmore, Queensland 4214, Australia
 Ph: 617 5597 3521 Fax: 617 5597 3529 www.mwdesign.net.au

VESSEL:	5.4m CUDDY	
TITLE:	GENERAL ARRANGEMENT	
DWG No:	P54-100	SCALE:
DATE:	10/12/2004	DRAWN:
		MDW